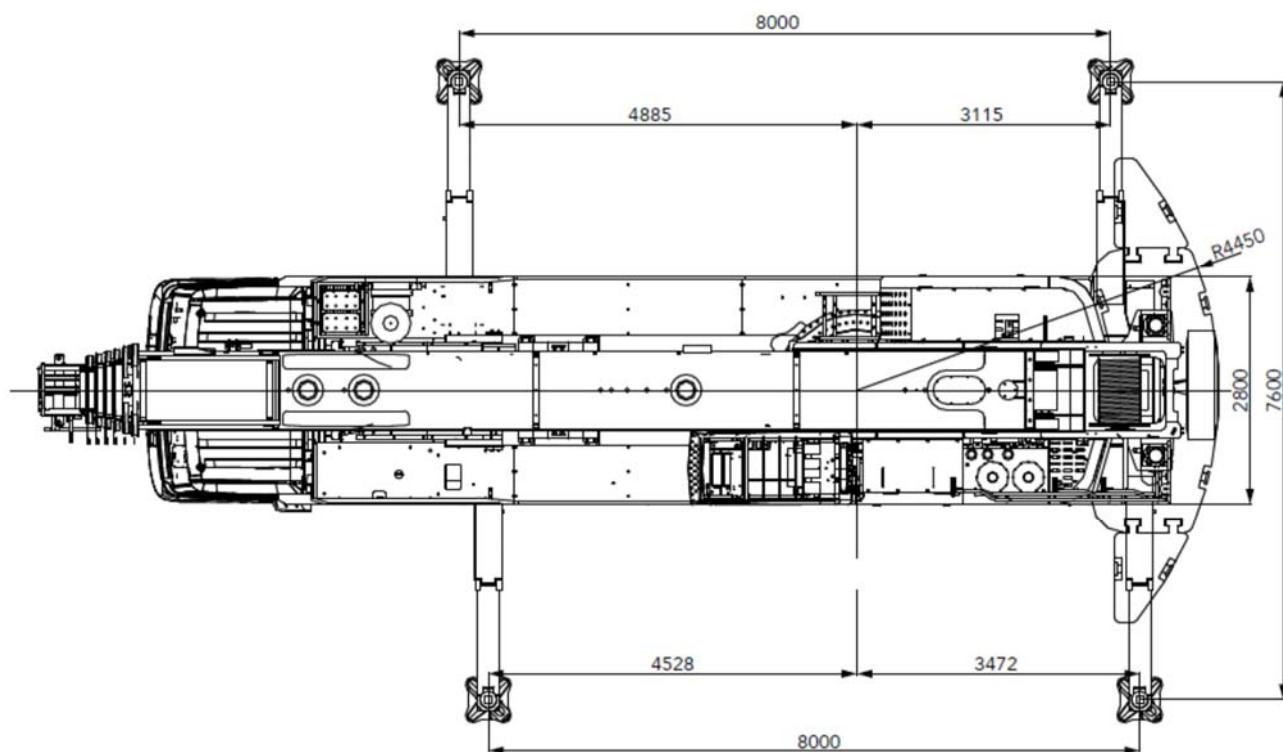
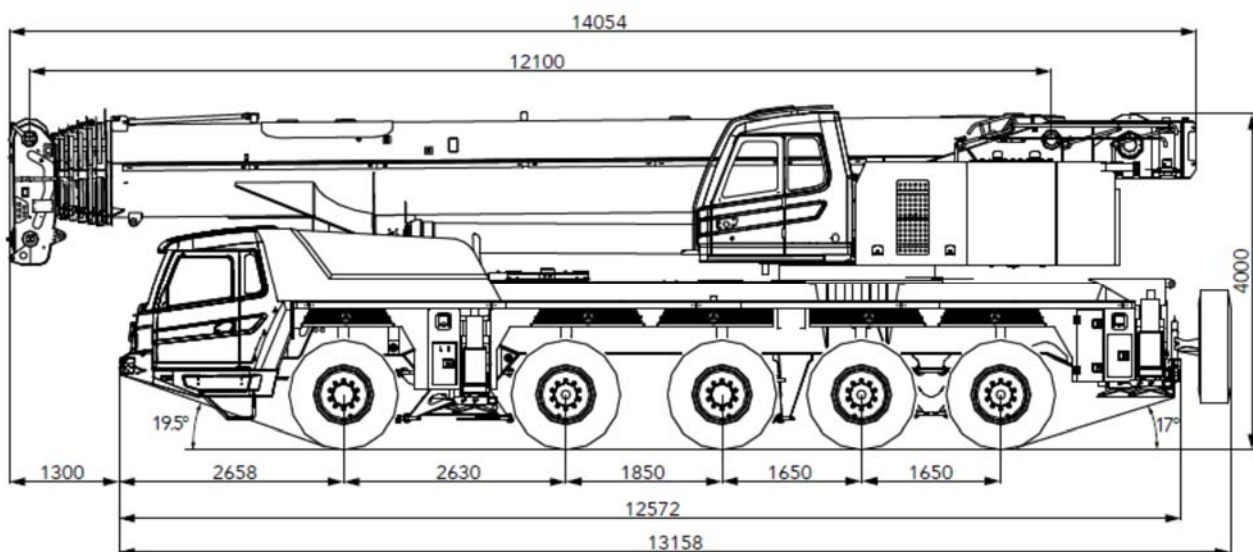


Boom Load Chart



Outrigger full-extend, 40.5t counterweight

Radius (m)	12.1	16.1	24.0	31.8	39.5	Radius (m)					
3	130	100	75			3					
3.5	100	95	69	92	71	3.5					
4	98	90.5	65	90	66.5	85	54.3	4			
4.5	90	84	61	85	62.5	82	51.7	76.5	56	80	4.5
5	85	79	57	79	59	79	49.3	73	54.2	76	5
6	74	70	51	70	52.5	70	45.5	67	50	69	6
7	64	62	46	62	47.5	62	41.3	61	46	61	7
8	58	56	41.5	57	43	56	37.3	55	42.5	54.5	8
9	49	50	38.5	52	39.6	50	34.3	50	39	50	9
10		45	35.5	45	36.5	45	31.5	45	36	45	10
11		40	33	40	33.6	40.5	29.7	40.5	33.6	40.5	11
12		35	31	36	31.5	36.5	28	36.5	31.5	36.2	12
14				28	28	28.9	24.5	29.5	28	28.3	14
16				23	24.4	23.5	22	24	24.6	23	16
18						19.5	19.8	20.1	21	19	18
20								17.1	18	16	20
22								14.8	15.6	13.7	22
24											24
26											26
28											28
30											30
32											32
34											34
36											36
38											38
40											40
42											42
44											44
46											46
48											48
50											50
52											52
54											54
56											56
58											58
60											60
II		46								46	II
III				46		46		46		46	III
IV				46		46		46	46	46	IV
V					46	46	46	46	46	46	V
VI			46		46		46	46	46		VI
VII							46		46		VII
Rate	12	11	11	10	10	9	9	8	8	8	Rate



Type	Item	Unit	Value	
Dimensions	Overall length	mm	14054	
	Overall width	mm	2800	
	Overall height	mm	4000	
Weight	Total weight of crane	kg	55000	
	Axle load	Load of axle 1, axle 2	kg	23200
		Load of axle 3, axle 4, axle 5	kg	31800